



## Shuttleworth STEM Quest - Brownies

Today you are going to be looking at lots of interesting old vehicles, all of which have a connection with a special woman who may have used them, designed them or built them. As you go round, you will be told some exciting stories. On your quest you will need to carry out some tasks and complete some special missions.

### TASK 1 - MIX AND MATCH

We have mixed up the pictures of the women, their names and the exhibit. Number the photos to match the names.



1. Jaqueline Cochran

2. Special Operations Executive

3. Hellé Nice

4. Amy Johnson

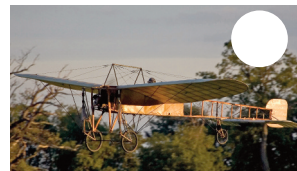
5. Dorothy Levitt

6. Mary, Lady Heath

7. Hélène Dutrieu

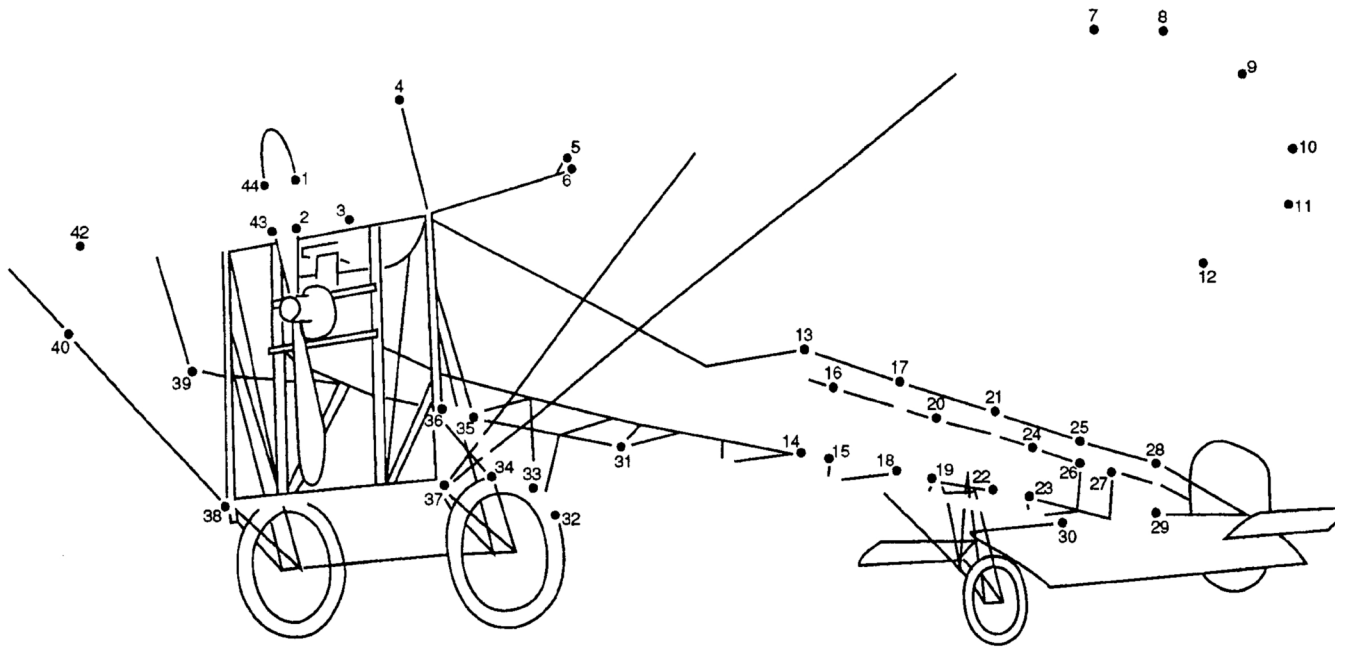
8. Harriet Quimby

9. The ATA



**MATCH THE MAGNIFICENT WOMEN TO HER PLANE OR CAR**

## TASK 2 JOIN THE DOTS AND SEE IF YOU CAN SPOT THIS PLANE AS YOU GO AROUND

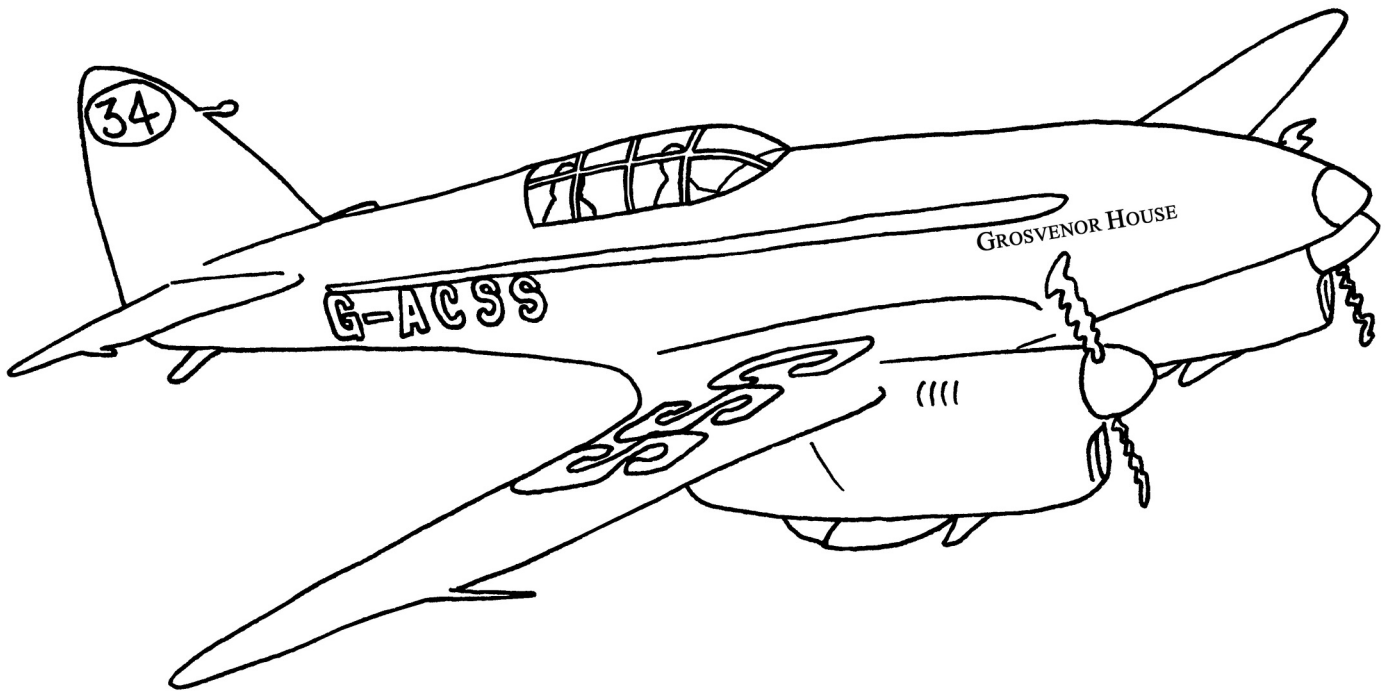


## TASK 3 CAN YOU FIND THESE WORDS IN THE GRID?

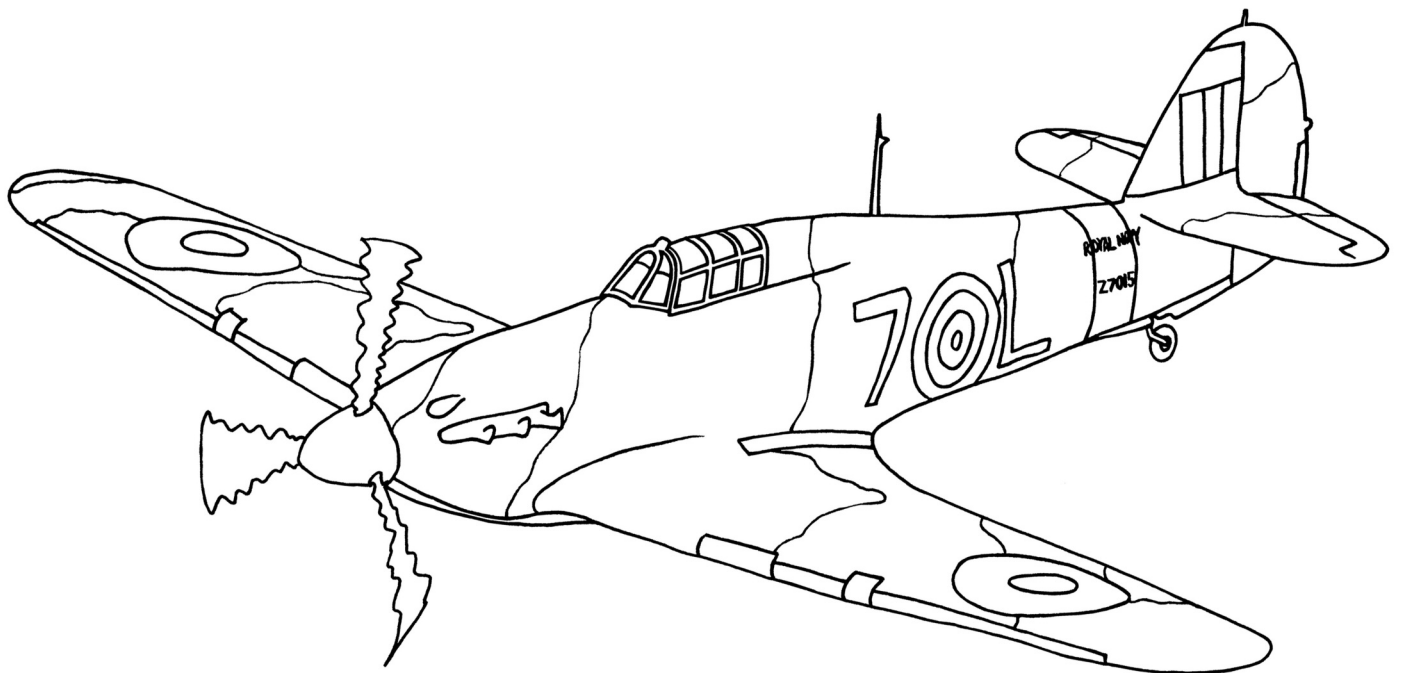
BROWNIES COCHRAN COCKPIT COMET ENGINE DEHAVILLAND  
JOHNSON PILOT RUDDER SPITFIRE WESTLAND WOMEN



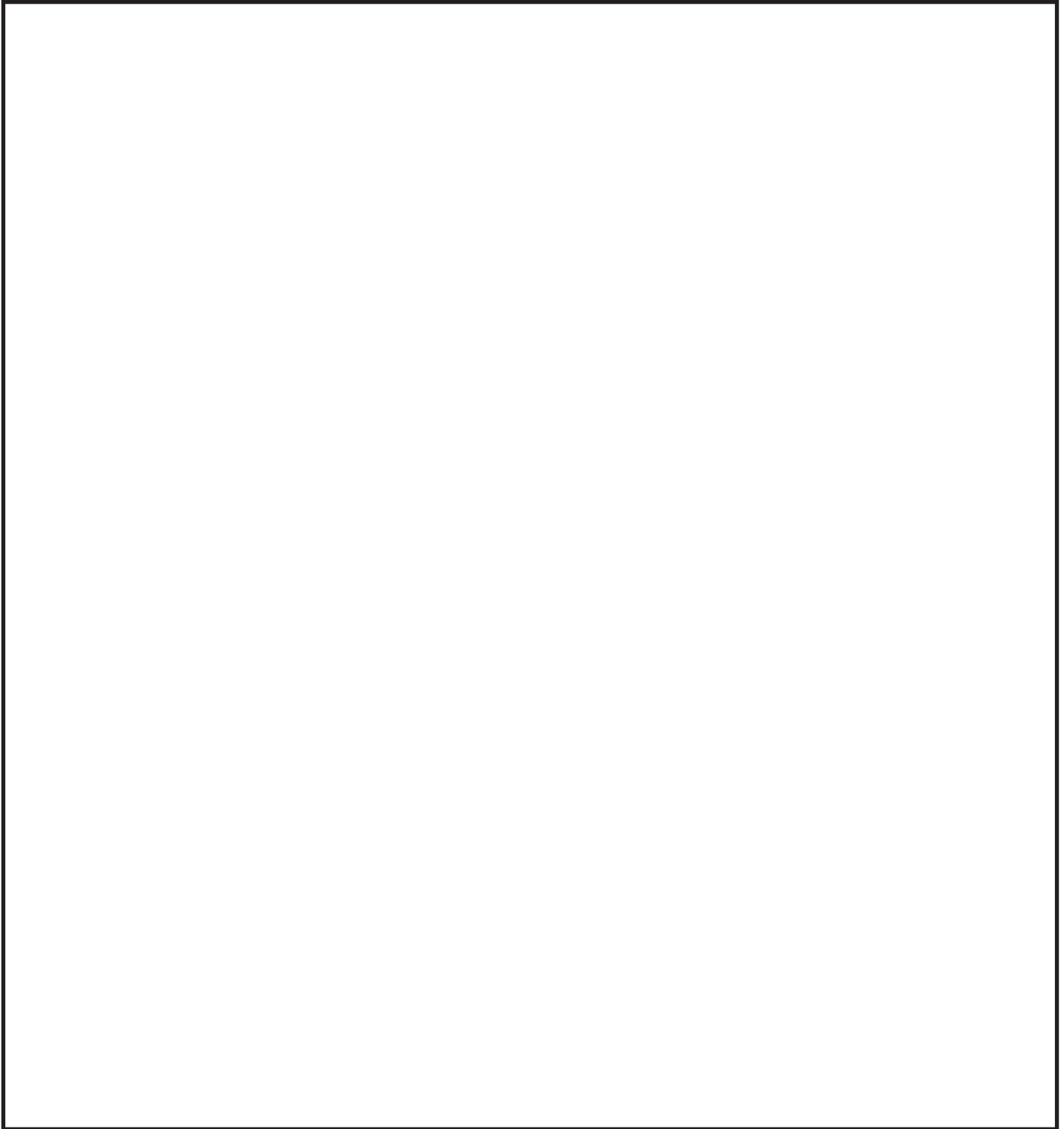
## COLOUR IN THE COMET



## COLOUR IN THE SEA HURRICANE



**TASK 4 IN THE BOX, DRAW OR WRITE ABOUT  
THE BEST THING YOU DID OR SAW TODAY**



**SPECIAL MISSIONS**

		<b>COMPLETE</b>
<b>5</b>	<b>Airplane song</b>	
<b>6</b>	<b>STEM 1</b>	
<b>7</b>	<b>STEM 2</b>	
<b>8</b>	<b>STEM 3</b>	