



## Shuttleworth STEM Quest - Guides & Rangers

Today you are going to be looking at lots of interesting old vehicles, all of which have a connection with a special woman who may have used them, designed them or built them. As you go round, you will be told some exciting stories. On your quest you will need to carry out some tasks and complete some special missions.

### TASK 1 - MIX AND MATCH

We have mixed up the pictures of the women, their names and the exhibit. Number the photos to match the names.



1. Jaqueline Cochran

2. Special Operations Executive

3. Land Army

4. Mary, Lady Heath

5. Amy Johnson

6. Dorothy Levitt

7. Hélène Dutrieu

8. Harriet Quimby

9. Hellé Nice

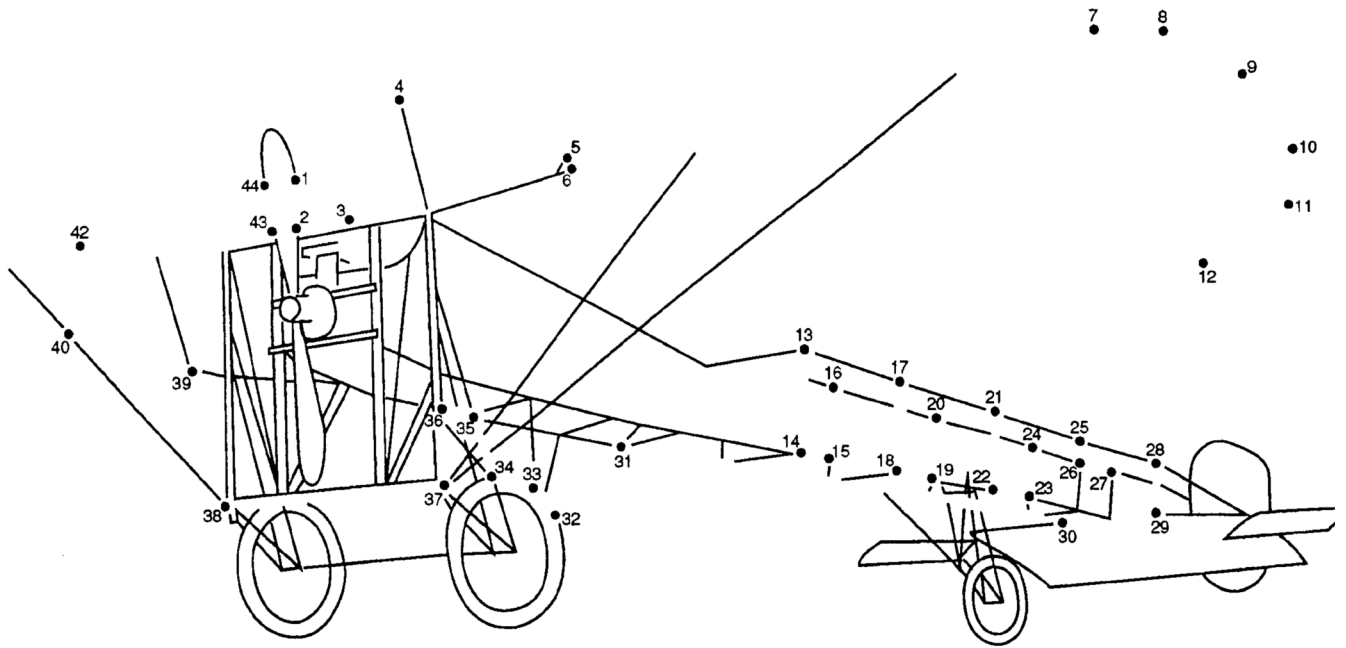
10. The ATA



**MATCH THE MAGNIFICENT WOMEN TO HER PLANE OR CAR**

Tell us an interesting fact about each one

## TASK 2 JOIN THE DOTS AND SEE IF YOU CAN SPOT THIS PLANE AS YOU GO AROUND



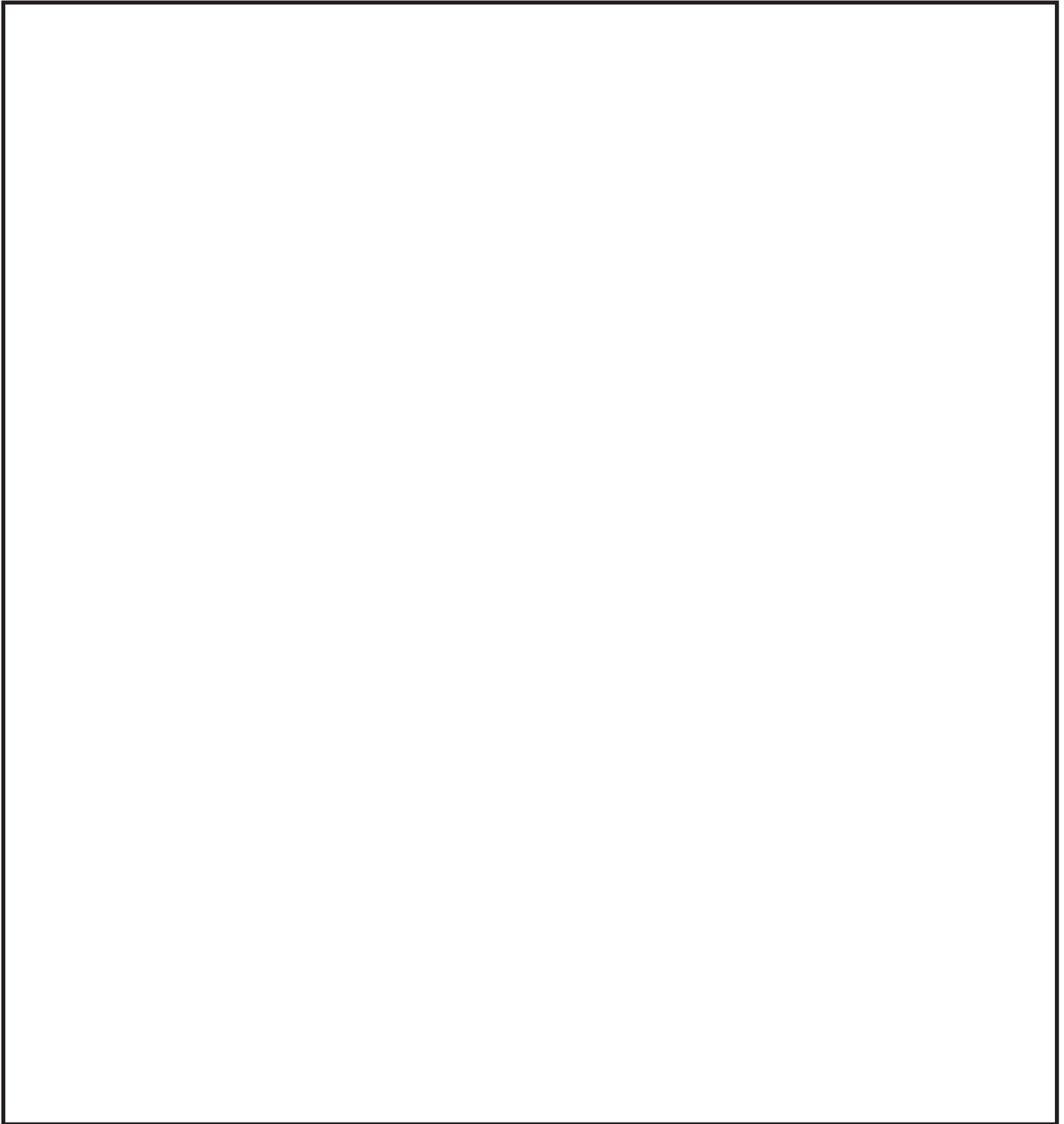
## TASK 3 CAN YOU FIND THESE WORDS IN THE GRID?

BLERIOT COCHRAN COCKPIT COMET ENGINE  
 EXHIBIT HURRICANE JOHNSON PILOT PROPELLER  
 RUDDER SPITFIRE VEHICLES WESTLAND

R	L	K	I	H	D	N	A	L	T	S	E	W	P	W
F	N	Z	E	U	C	O	C	H	R	A	N	R	B	I
G	T	Z	B	R	B	W	R	J	C	E	O	G	W	B
D	A	D	L	R	I	C	W	M	O	P	D	C	E	E
V	D	O	E	I	W	F	W	B	E	H	G	D	X	P
E	P	F	R	C	K	L	T	L	I	T	N	H	U	U
Z	L	C	I	A	J	F	L	I	T	K	I	S	N	R
K	A	N	O	N	M	E	M	I	P	B	S	D	O	R
J	E	V	T	E	R	T	P	D	I	S	E	T	S	N
J	D	V	I	F	O	K	L	T	R	I	L	E	O	T
M	O	Z	M	L	C	R	M	I	M	Q	C	M	S	M
V	R	L	I	O	L	S	A	Q	K	S	I	O	T	P
F	I	P	C	Y	G	A	A	Z	V	C	H	C	G	F
E	N	G	I	N	E	M	N	F	T	I	E	N	D	C
M	B	X	B	Y	U	O	R	D	P	R	V	T	B	T

# SKETCH PART OF A PLANE

**TASK 4 IN THE BOX, DRAW OR WRITE ABOUT  
THE BEST THING YOU DID OR SAW TODAY**



**SPECIAL MISSIONS**

		<b>COMPLETE</b>
<b>5</b>	<b>STEM 1</b>	
<b>6</b>	<b>STEM 2</b>	
<b>7</b>	<b>STEM 3</b>	
<b>8</b>	<b>STEM 4</b>	